

Wellhead equipment



General parameters of wellhead equipment

DKG-EAST is a traditional manufacturer of wellhead equipment, which is indispensable in the exploitation of a mine to shape the well-structure of deep boring. The wellhead is the first technological point of mine, crude oil and gas mining., where the mined raw product comes up to the surface. The wellhead equipment is used to take control in oil, gas and geothermic exploring and extractive industries or in underground storage, their function is to keep the pressure of the well, anchor and caulk tubes and exploit the product.



Demands

There are a lot of aspects to be considered to select the wells for exploiting liquid or gas aggregate mineral stock, and wellhead equipment. These are the following:

- selection of gaskets
- tools of well development
- function of wellhead
- parameters of hydrocarbon wells
- corrosion interaction in presence of H₂S and CO₂

Some of the important considerations that, together with the knowledge and practice of DKG-EAST, provide safety to help clients to choose the best solution.

Answers

DKG-EAST manufactures and sells only forged wellhead equipment for oil and gas exploitation and transmission, according to the field's specification and clients' technical requirements. Our products keep safety regulations including environment, accident, property and personal protection against wells exploiting liquid and gaseous minerals. The equipment bears the following features: long lifetime without maintenance, variability, safe operation, compatibility within standard. The finishing of surface is according to clients' specification including technical content and colour.

Scope

- natural gas transmission
- oil and gas wells
- natural gas storage
- crude oil refinery
- offshore drilling points
- drinking water wells

Main references

- RAG, Austria
- Weatherford, Austria
- Hartmann Valves GmbH, Germany
- ITAG, Germany
- NAFTA a.s. Gbely, Slovakia
- Strojimport JSC, Czech Republic
- Tomskgazprom, Russia
- Gazkomplektimpex, Russia
- Interprokom, Russia
- Yurkharovneftegaz, Russia
- Mezhtregionkomplekt, Russia
- Geotransgaz, Russia
- Combo Trade, Russia
- Kazgermunai, Kazakhstan
- Belorusneft, Belarus
- Turkmengeologia, Turkmenistan
- NIS a.d Novi Sad, Serbia
- GEO-Fluids Ltd., Nigeria
- Tunisie Assistance, Tunisia
- PT Tiga Musim Mas Jaya, Indonesia
- MOL Yemen, Yemen
- MOL Pakistan, Pakistan
- AGOCO (Moltrade Mineralimpex), Libya





Design Characteristics

The wellheads and X-mas trees are designed, produced and inspected by DKG-EAST according to API Spec 6A requirements.

The products are in compliance with the following specifications:

General:	ANSI/API 6A/ISO 10423
Size:	ASME Code VIII.
Material:	ASTM, AISI, EN, GOSZT, MSZ
Sealing surface of flange:	6B (2000-5000 psi) acc. to API Spec 6A 6BX (10000 psi) acc. to API Spec 6A
Socket design:	API Std 5 L
Marking:	API Spec 6A
Sour service:	NACE Standard MR 01.75
Test pressure:	API Spec 6A
Product service level:	API Spec 6A: PSL1; PSL2; PSL3
Product :	API Spec 6A: PR1; PR2
Temperature range:	API Spec 6A: K; L; P; R S; T; U; V





Type assortment

Section A:

- A1 Threaded casing spool
- A2 Casing slip
- A3 Valve
- A4 Nipple
- A5 Plug
- A6 Bull plug
- A7 Needle valve
- A8 Pressure gauge

Section B:

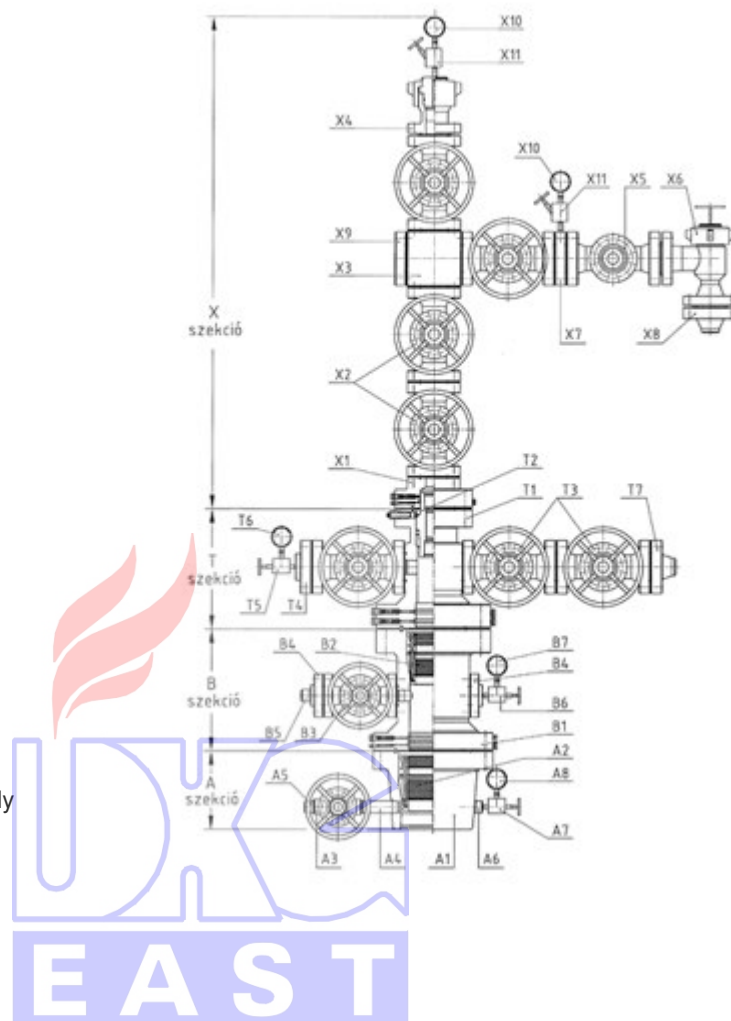
- B1 Flanged casing spool
- B2 Casing slip
- B3 Valve
- B4 Threaded flange
- B5 Plug
- B6 Needle valve
- B7 Pressure gauge

Section T:

- T1 Tubing spool
- T2 Tubing hanger
- T3 Valve
- T4 Threaded flange
- T5 Needle valve
- T6 Pressure gauge
- T7 Buttwelded flange

Section X :

- X1 Adapter
- X2 Valve
- X3 Crossover sub
- X4 X-mas tree cap
- X5 Pneumatically or hidraulically operated valve
- X6 Adjustable choke
- X7 Instrument flange
- X8 Buttwelded flange
- X9 Blind flange
- X10 Pressure gauge
- X11 Needle valve



Tubing hanger adapter



Design:

- standard "P" type secondary sealing (FFB-3)

- "P" type secondary sealing with control bore

or control line out bore (FFB-4)

Size range:

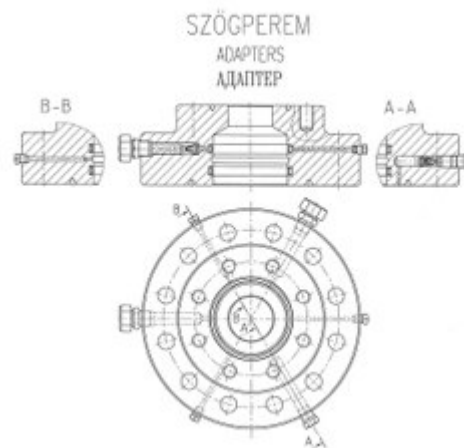
7 1/16" / 2 9/16" ; 7 1/16" / 3 1/8"

7 1/16" / 4 1/16" ; 11" / 4 1/16" ;

11" / 7 1/16"

Pressure range: 2000 - 10000 psi

Temperature range: -60 °C - +121 °C

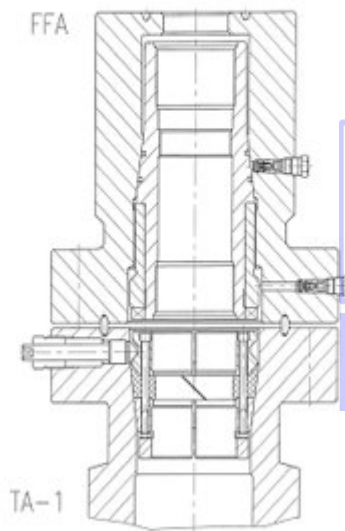


Conical

TERMELŐCSŐ AKASZTÓ/SZÖGPEREM

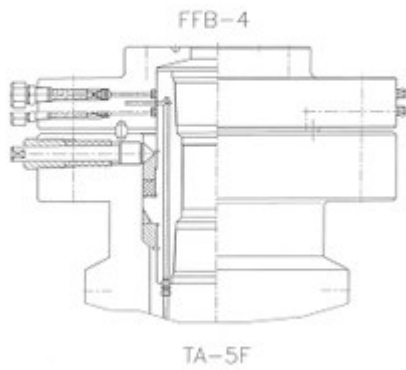
TUBING HANGERS/ADAPTERS

ПОДВЕСКА НКТ/АДАПТЕР

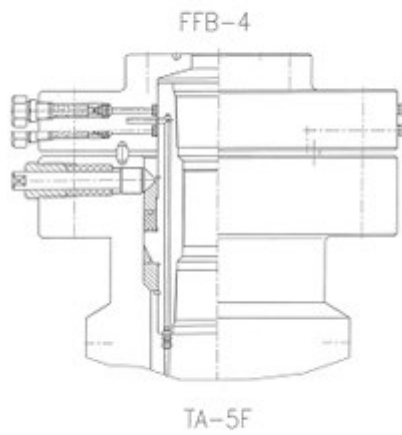


Cylindrical

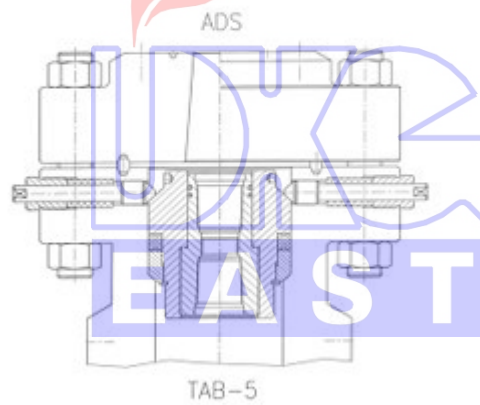
TERMELŐCSŐ AKASZTÓ/SZÖGPEREM
TUBING HANGERS/ADAPTERS
ПОДВЕСКА НКТ/АДАПТЕР



TERMELŐCSŐ AKASZTÓ/SZÖGPEREM
TUBING HANGERS/ADAPTERS
ПОДВЕСКА НКТ/АДАПТЕР



TERMELŐCSŐ AKASZTÓ/SZÖGPEREM
TUBING HANGERS/ADAPTERS
ПОДВЕСКА НКТ/АДАПТЕР



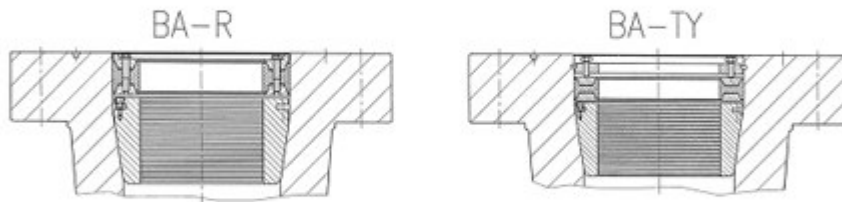


Casing slips

Size range: 4 1/2" – 13 3/8"

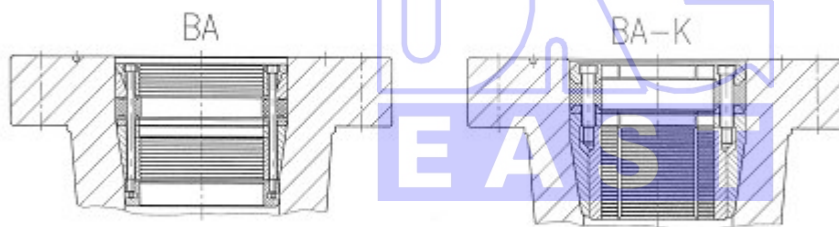
Conical

BÉLÉSCSÖ ÉK
CASING HANGERS
КЛИН ОБСАДНОЙ ТРУБЫ



NEM AUTOMATA
NON AUTOMATIC
НЕ АВТОМАТ

BÉLÉSCSÖ ÉK
CASING HANGERS
КЛИН ОБСАДНОЙ ТРУБЫ



AUTOMATA
AUTOMATIC
АВТОМАТ

Cylindrical

BÉLÉSCSÖ ÉK
CASING HANGERS
КЛИН ОБСАДНОЙ ТРУБЫ



AУТОМАТА
AUTOMATIC
АВТОМАТ

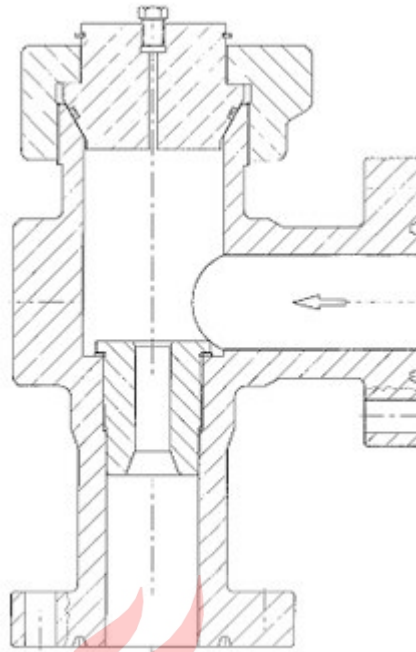




Chokes

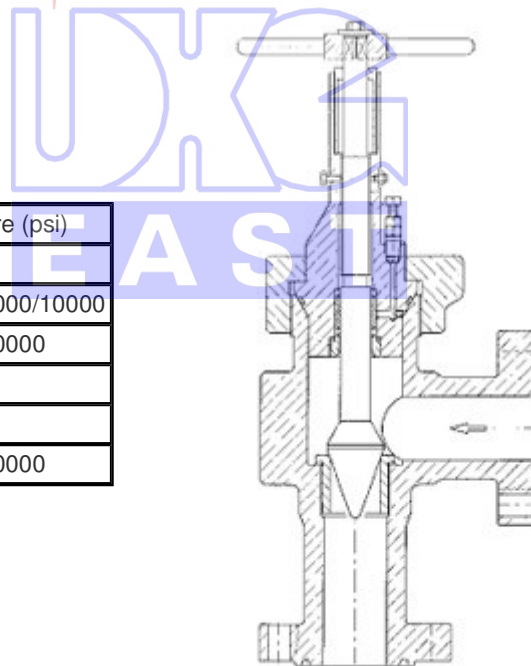
Positive chokes

Flange size	Work pressure (psi)
2 1/16"	3000/5000/10000
2 9/16"	3000/5000
3 1/8"	3000/5000
3 1/16"	10000
4 1/16"	3000/5000/10000



Adjustable chokes

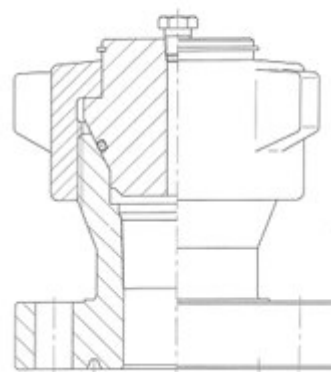
Flange size	Mandrel size	Work pressure (psi)
	2"LP	3000/5000
2 1/16"		2000/3000/5000/10000
2 9/16"		3000/5000/10000
3 1/8"		3000/5000
3 1/16"		10000
4 1/16"		3000/5000/10000



X-Mas tree caps

Size range:	2 9/16"; 3 1/8"; 4 1/16"; 7 1/16"
Work pressure:	2000 - 10000 psi
Temperature range:	-60 °C - +121 °C
Thread in the spool:	2 7/8"; 3 1/2"; 4"; 4 1/2"; 6 5/8"; 7"
Thread type:	EU, GOSZT, VAM, NEWVAM, VAGT, VAM Casing

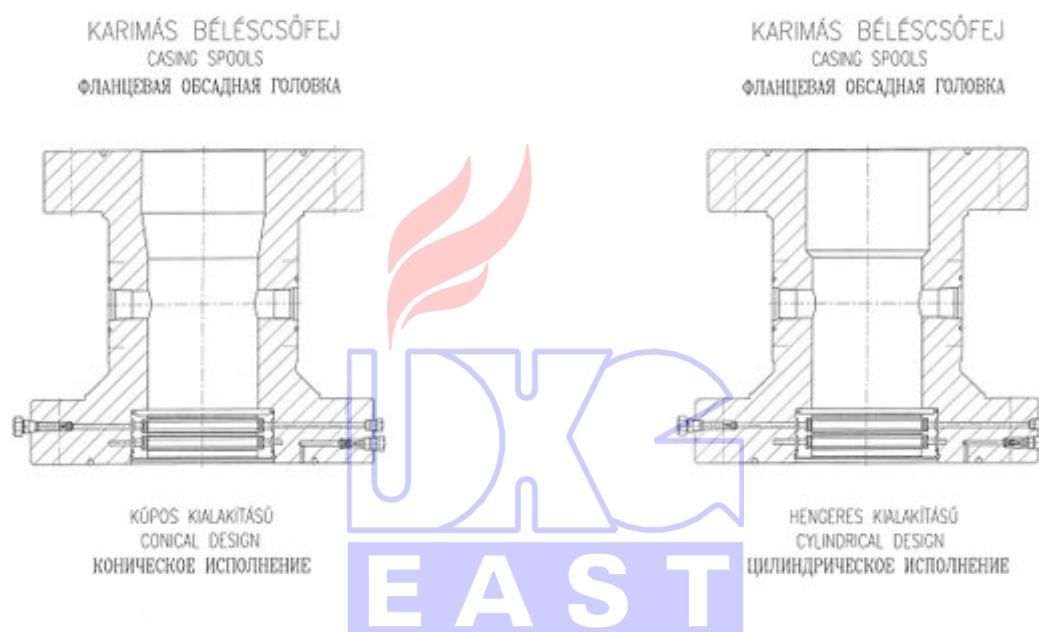
KARÁCSONYFA SAPKA
X-MAS TREE CAPS
БУФЕР



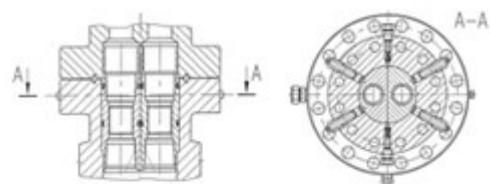
Flanged casing spool



Size range:	13 5/8" / 11" – 21 1/4" / 13 5/8"
Pressure range:	2000 - 10000 psi
Temperature range:	-60 °C - +121 °C
Two side connection:	API 1/2" LP; API 2" LP or API 2 1/2" LP
Ring joint connection:	2 1/16"; 2 9/16" or 3 1/8"
Secondary sealing:	P -seal (simple or double) with plastic injector

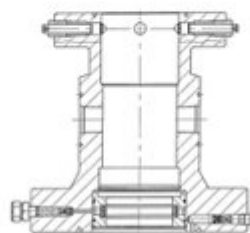


Dual completion wellhead



KETTŐS TERMELŐCSŐ AKASZTÓ
DUAL TUBING HANGERS
ДВОЙНАЯ ПОДВЕСКА НКТ

Nominal pressure:	2000,3000,5000 psi
Tuping size:	2 3/8" EU; 3 1/2" New VAM
Centre line distance:	2 3/8" (90,1mm); 3 1/2" (128,2mm)



KETTŐS TERMELŐCSŐFEJ
DUAL COMPLETIONS
ДВОЙНАЯ ТРУБНАЯ ГОЛОВКА



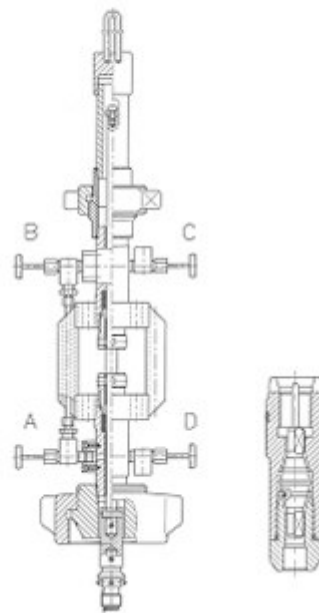


Lubricants

Vertical lubricant

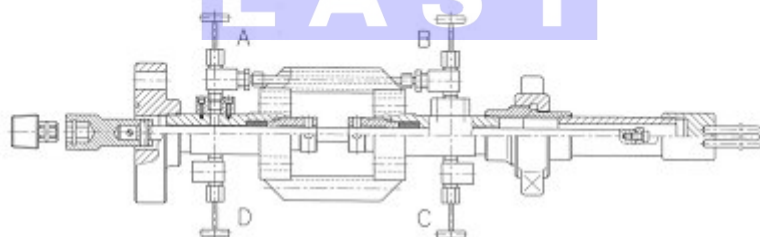
Type:	FL-1 ; FL-2 ; FL-1H (with extended stem); FL-3
Working pressure psi:	3000 - 10000 psi
ACME thread size:	6 1/2"; 7 1/2"; 10 1/2"

FÜGGŐLEGES LUBRIKÁTOR
(VERTICAL) LUBRICATOR
ВЕРТИКАЛЬНЫЙ ЛУБРИКАТОР



OL Type side Lubricant

Type:	OL-1 ; OL-2 ; OL-3 ; OL-7
Working pressure psi:	3000 - 5000 psi
Flange size :	2 1/16"; 2 9/16"; 3 1/8";

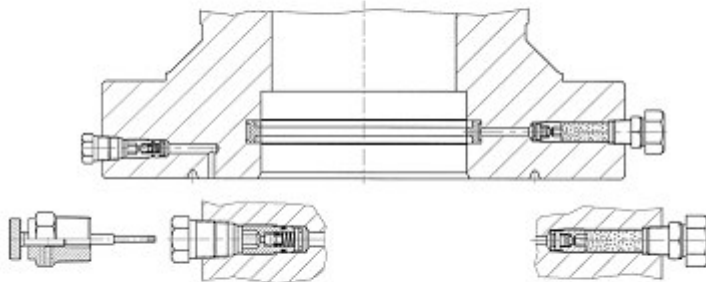


OLDALSÓ LUBRIKÁTOR
(SIDE) LUBRICATOR
БОКОВОЙ ЛУБРИКАТОР

Secondary sealing system

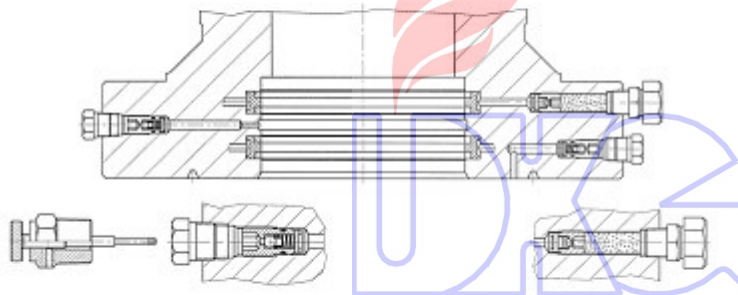


MÁSODLAGOS TÖMÍTÉSEK
SECONDARY SEALS
ВТОРИЧНЫЕ УПЛОТНЕНИЯ

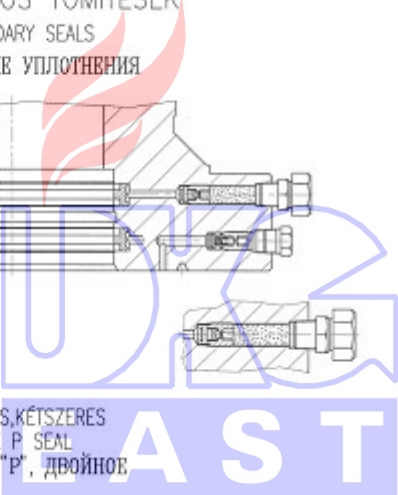


"P" TÖMÍTÉS, EGYSZERES
SIMPLE P SEAL
УПЛОТНЕНИЕ "P", ОДИНАРНОЕ

MÁSODLAGOS TÖMÍTÉSEK
SECONDARY SEALS
ВТОРИЧНЫЕ УПЛОТНЕНИЯ



"P" TÖMÍTÉS, KÉTSZERES
DOUBLE P SEAL
УПЛОТНЕНИЕ "P", ДВОЙНОЕ

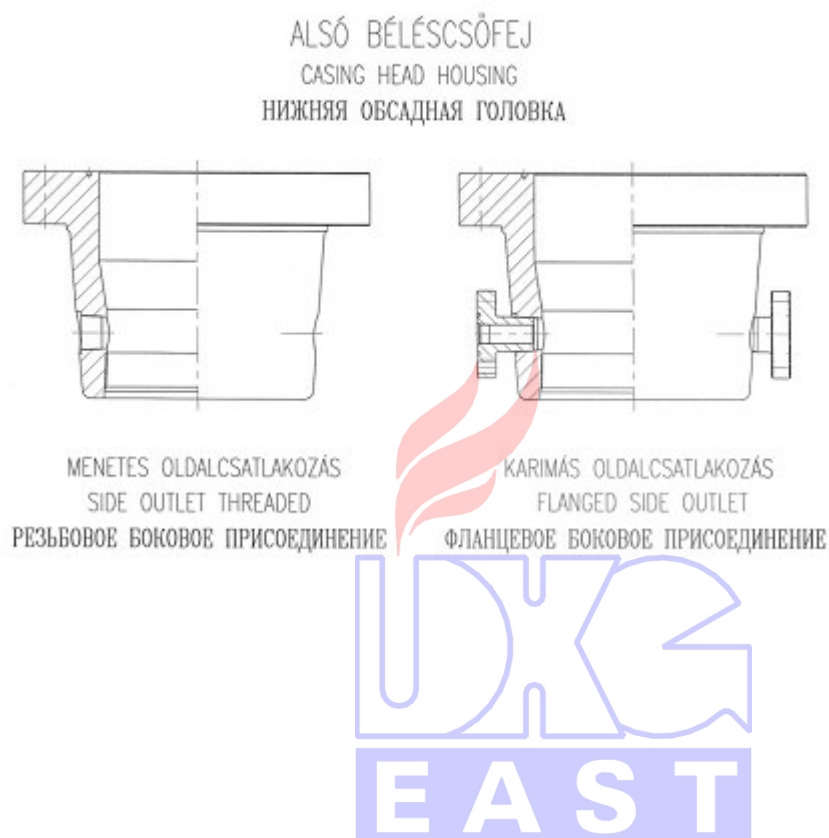


Threaded casing spools



Two side connections have API 2" LP threads. The bottom threaded connection is manufactured according to purchaser's requirement (BC; STC; LC; GOSZT, etc.)

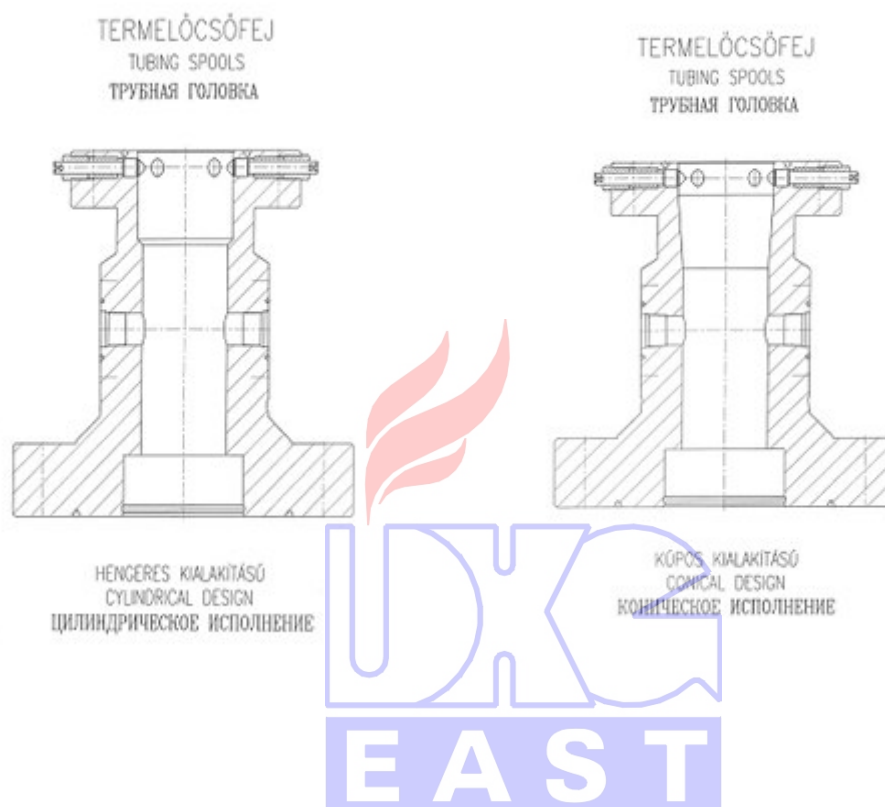
Size range:	7 1/16" – 21 1/4"
Pressure range:	2000-5000 psi



Tubing head spool



Size range:	7 1/16" / 7 1/16" – 13 5/8" / 13 5/8"
Pressure range:	2000 - 10000 psi
Temperature range:	-60°C - +121°C
Two side connection:	API 1/2" LP; API 2" LP or API 2 1/2" LP
Ring joint connection:	2 1/16"; 2 9/16" or 3 1/8"
Secondary sealing:	P - seal (simple or double) with plastic injector

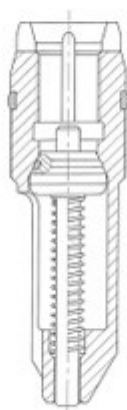


Back pressure valves and test plugs

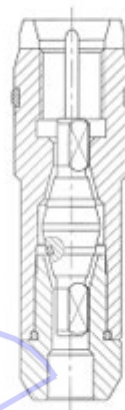


Nominal size	Min. vertical bore of X-mas tree	Tubing OD
2"	2 1/16"	2 3/8"
2 1/12"	2 9/16"	2 7/8"
3"	3 1/8"	3 1/2"
3 1/2"	4 1/16"	4"
4"	4 1/16"	4 1/2"
6 1/2"	7 1/16"	7"

EGYSZERES VISSZACSAPÓ SZELEP
BACK PRESSURE VALVE
ОДИНАРНЫЙ ОБРАТНЫЙ КЛАПАН



KETTŐS VISSZACSAPÓ SZELEP
TWO WAY BACK PRESSURE VALVE
ДВОЙНОЙ ОБРАТНЫЙ КЛАПАН



Gallery

